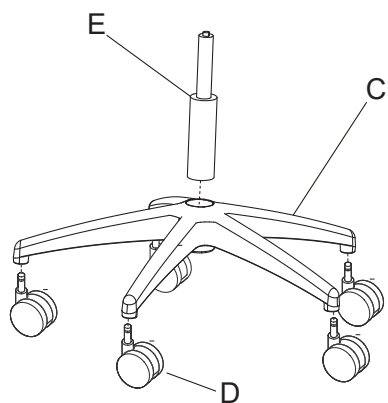
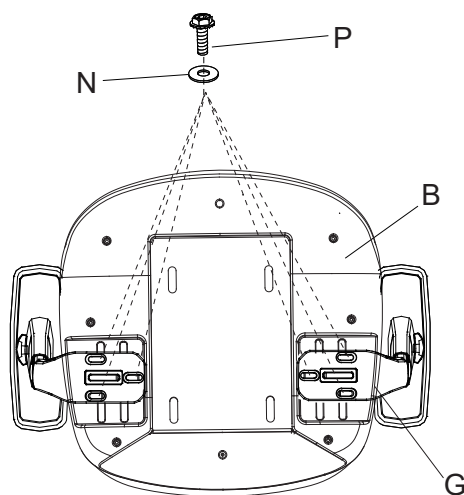


COMPOSANTS		Qty
A		1PC
B		1PC
C		1PC
D		5PCS
E		1PC
F		1PC
G		1PC
J	M6*35mm	4PCS
P	M6*40mm	6PCS
K	M8*20mm	3PCS
M	M8*ø17	7PCS
N	M6*ø14	6PCS
O	M6	1PC

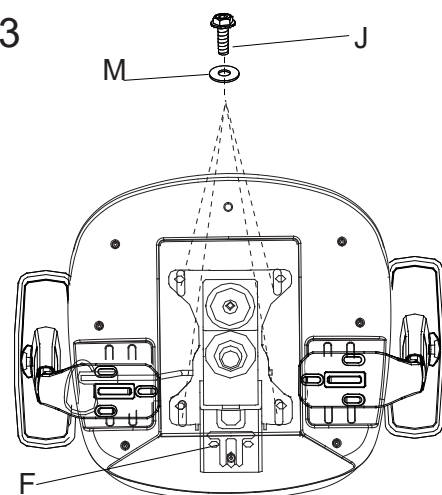
1



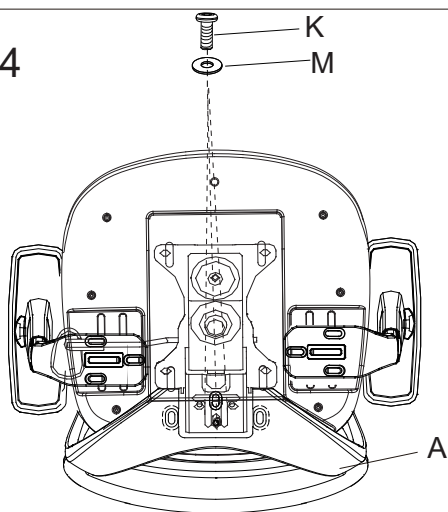
2



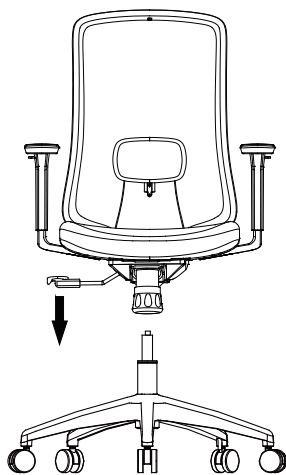
3



4



5



6

