

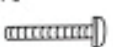


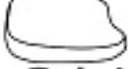








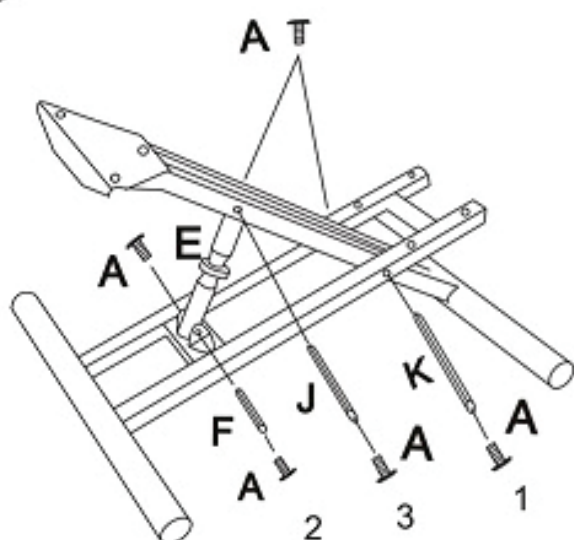
# NOTICE DE MONTAGE

SIEGE ASSIS-GENOUX STRUCTURE METAL ERGO METAL

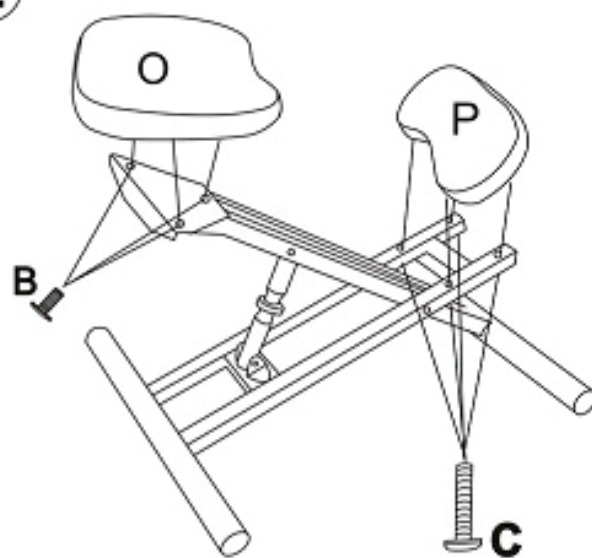
ERMO1

6*12  <b>A*6</b>	6*20  <b>B*3</b>	6*40  <b>C*4</b>	 <b>D*4</b>	 <b>E*1</b>	 <b>O*1</b>
 <b>F*1</b>	 <b>J*1</b>	 <b>K*1</b>	 <b>M*2</b>	 <b>N*1</b>	 <b>P*1</b>

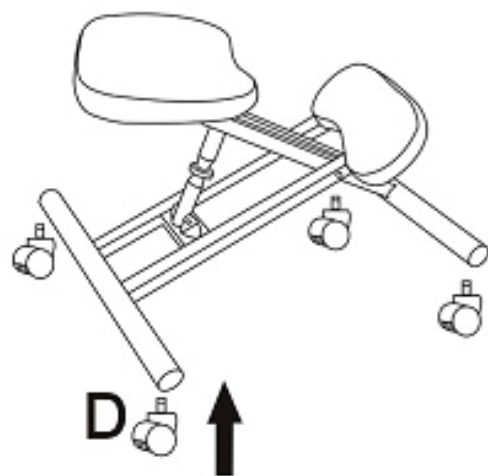
1



2



3



4

