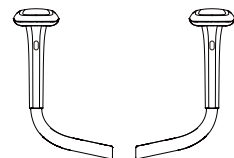
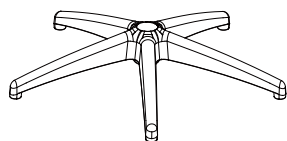
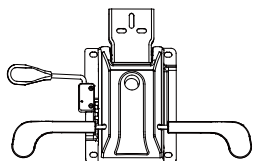
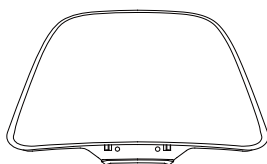
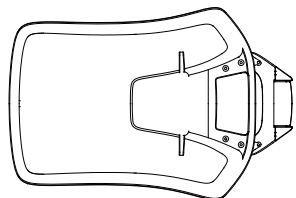
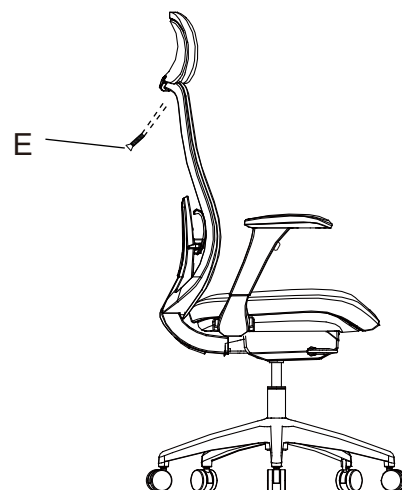
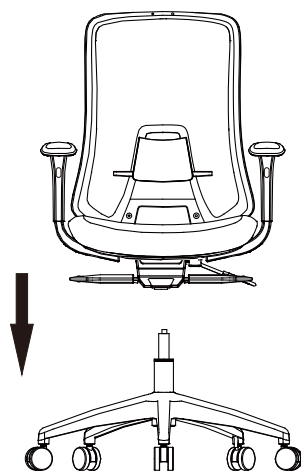
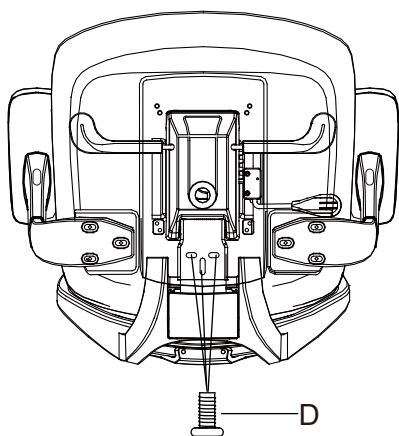
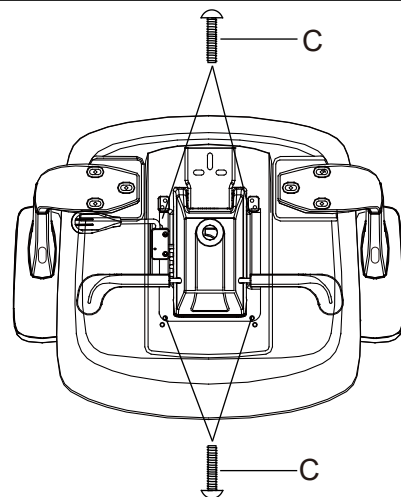
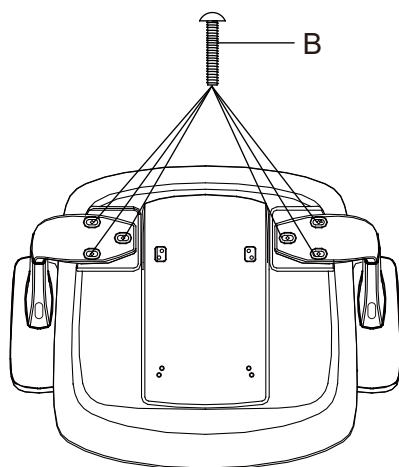
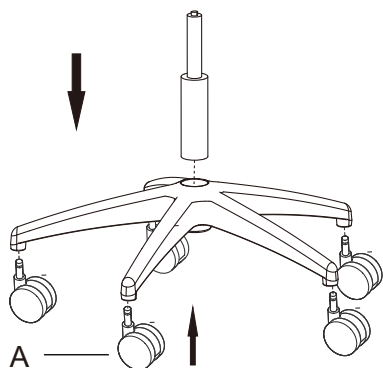
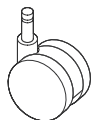


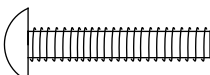
Notice de montage fauteuil Ergonomique FED0 REF. FED01



AX5

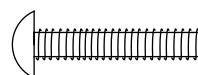


Bx6



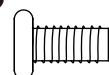
M6*30mm

Cx4



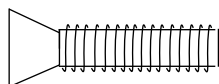
M6*25mm

Dx3



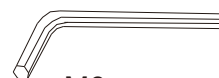
M8*20mm

Ex2



M6*16mm

Fx1



M6