



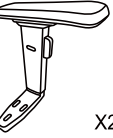
































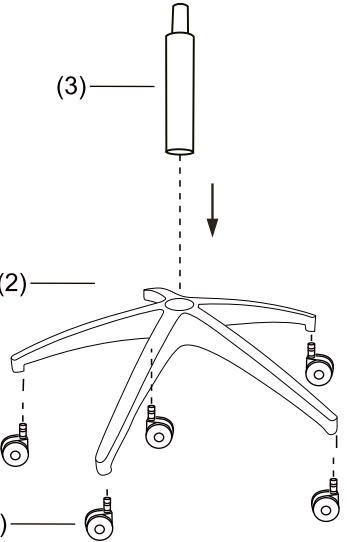
NOTICE DE MONTAGE

fauteuil PHILADELPHIE

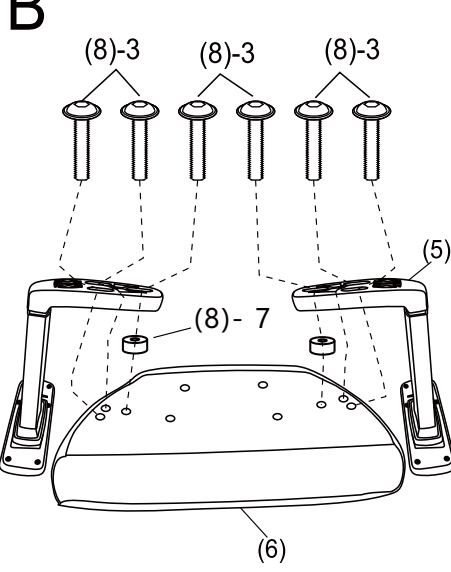
REF.PHLOINR

(1)Castors	(2)Base	(3)Gas Lift	(4)Mechanism																											
 X5																														
(5)Armrests	(6)Seat	(7)Back																												
 X2																														
<p>(8)</p> <table border="0"> <tr> <td>1.</td> <td></td> <td>X2(M6*20mm)</td> </tr> <tr> <td>2.</td> <td></td> <td>X2(M6*25mm)</td> </tr> <tr> <td>3.</td> <td></td> <td>X6(M6*35mm)</td> </tr> <tr> <td>4.</td> <td></td> <td>X3(M8*20mm)</td> </tr> <tr> <td>5.</td> <td></td> <td>X4(6*16mm)</td> </tr> <tr> <td>6.</td> <td></td> <td>X3(8*17mm)</td> </tr> <tr> <td>7.</td> <td></td> <td>X2(5mm)</td> </tr> <tr> <td>8.</td> <td></td> <td>X2(8mm)</td> </tr> <tr> <td>9.</td> <td></td> <td>X1(5*25*65mm)</td> </tr> </table>				1.		X2(M6*20mm)	2.		X2(M6*25mm)	3.		X6(M6*35mm)	4.		X3(M8*20mm)	5.		X4(6*16mm)	6.		X3(8*17mm)	7.		X2(5mm)	8.		X2(8mm)	9.		X1(5*25*65mm)
1.		X2(M6*20mm)																												
2.		X2(M6*25mm)																												
3.		X6(M6*35mm)																												
4.		X3(M8*20mm)																												
5.		X4(6*16mm)																												
6.		X3(8*17mm)																												
7.		X2(5mm)																												
8.		X2(8mm)																												
9.		X1(5*25*65mm)																												
																														

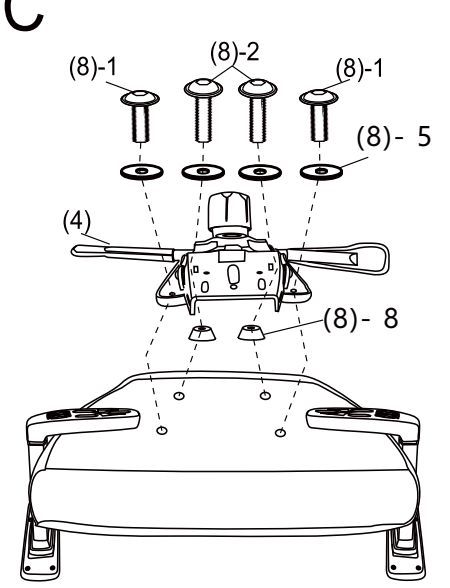
A



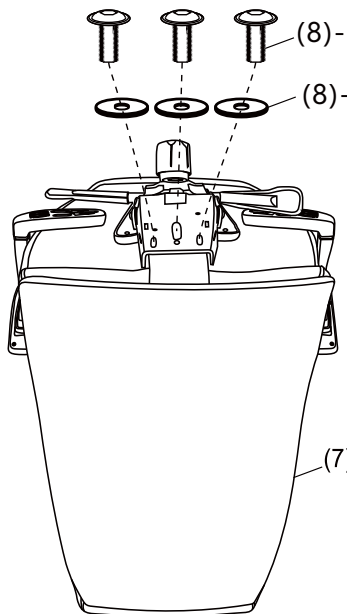
B




C



D



E



F

