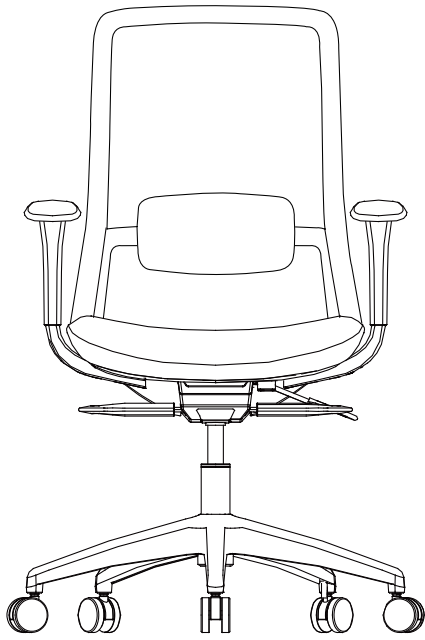
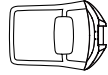


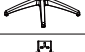
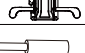




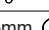



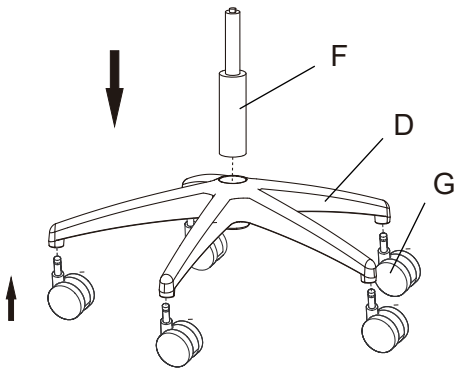


FAUTEUIL ERGONOMIQUE POLAR REF.POL01 et 02

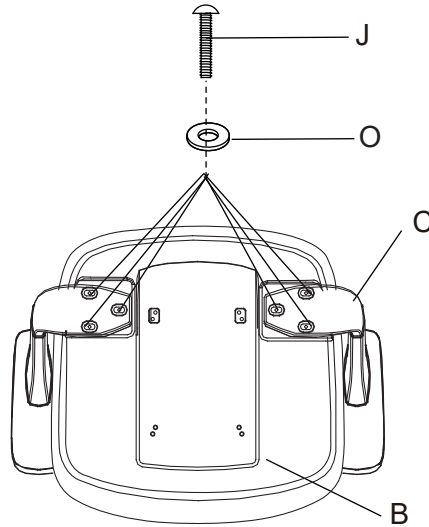


COMPOSANTS	Qty
A 	1PC
B 	1PC
C 	1PC
D 	1PC
E 	1PC
F 	1PC
G 	5PCS
J M6*35mm 	6PCS
L M6*25mm 	4PCS
M M8*45mm 	3PCS
O M8*φ17*1.5mm 	13PCS
P M8*φ14*2mm 	3PCS
Q M6 	1PC

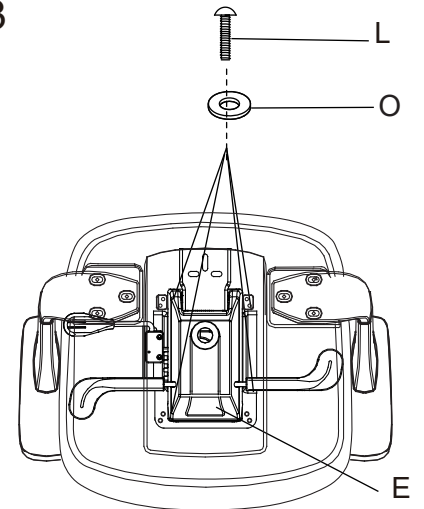
1



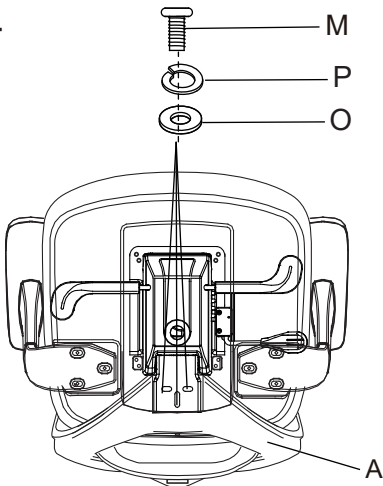
2



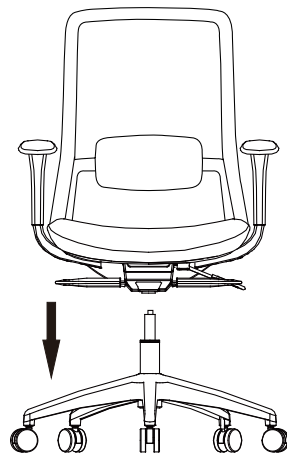
3



4



5



6

