
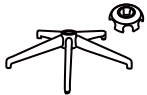

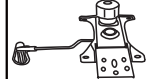












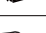



Notice de montage

fauteuil Opérateur TAOS

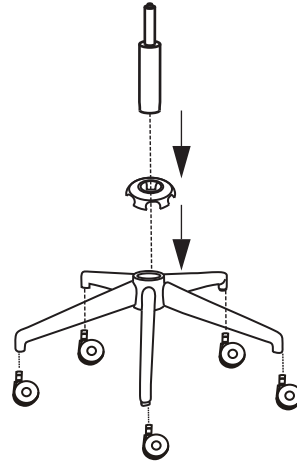
REF. TAS01

(1)Castors  x5	(2)Base 	(3)Gas Lift 	(4)Mechanism 
(5)Armrests  x2	(6)Seat 	(7)Back 	(8)headrest 

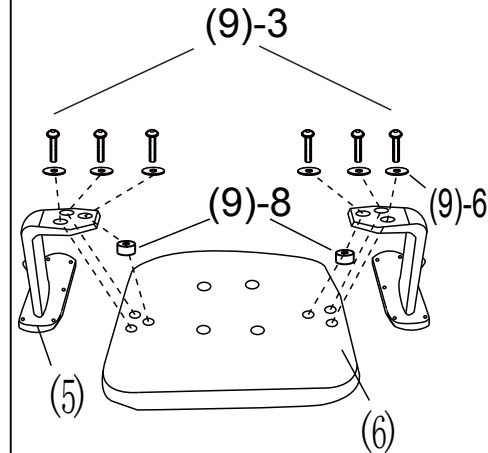
- (9)
1.  x2(M6*20mm)
 2.  x2(M6*30mm)
 3.  x6(M6*35mm)
 4.  x3(M8*40mm)
 5.  x2(M6*30mm)
 6.  x10(6*16mm)
 7.  x3(8*17mm)
 8.  x2(5mm)
 9.  X2(8mm)
 10.  x1(5*25*65mm)



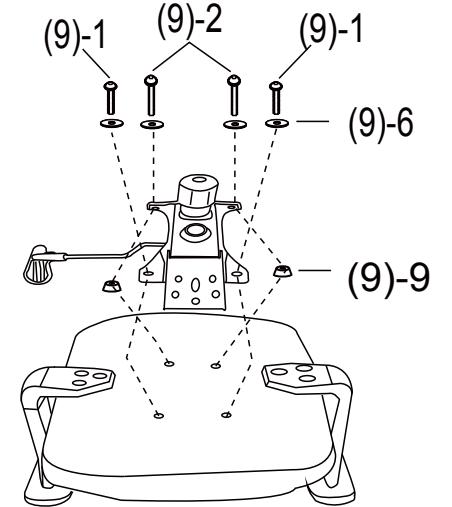
A



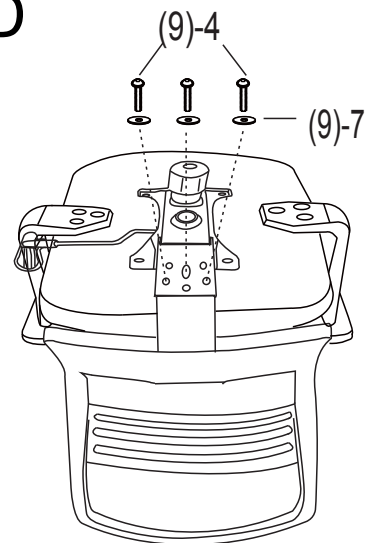
B



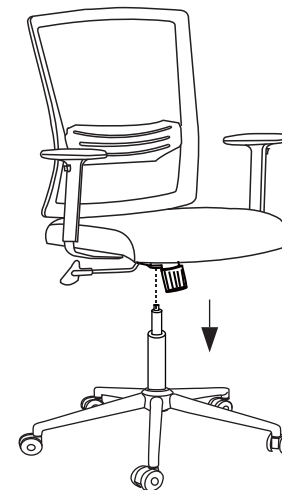
C



D



E



F

