

Evo

technical specification



.mdd

.mdd has a leading position among manufacturers of office furniture with many awards that prove quality and continuously increase demand for it's products.

The realities of today`s market require constant quality improvement at all levels of modern organization. This applies in particular to customer service, marketing, quality of products and also to quality of processes within the company. Partnership relations among employees and with business partners form a base of economic growth and success of the company.

Constant investments in innovative machinery park, optimization of management systems and an expansion of production halls allow to minimize the lead times for the product of the highest quality.

More than twenty years of experience in office furniture industry come with reference from a long list of companies and institutions to show their appreciation for an efficient and comprehensive service.

.mdd is highly aware of the environment.

Being located in the forest region with lake by its side, .mdd takes the nature seriously and invests constantly in a modern and energy-efficient solutions to preserve the local life. Company puts emphasis on waste segregation and recycling. .mdd has been awarded for the exceptional care and involvement in waste disposal. All materials used are environmentally friendly and enjoy a high 95 % rate of being recycled.



General informations:

Warranty:

.mdd products - **5 years**.
Electrical components and fabric - **2 years**.

Assembly:

product delivered in separate elements

Packing:

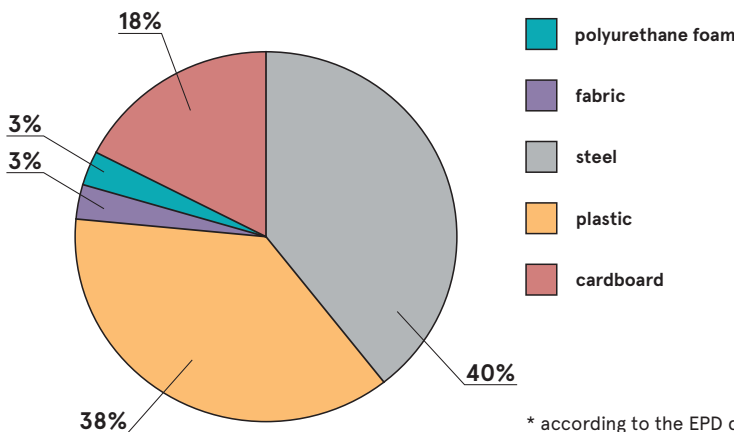
cardboard

Certificate - fabric:



www.mdd.eu

Material composition *:



* according to the EPD document

Recyclability **

Recycling: 93% - Downcycling: 7%

Recycled content

34%

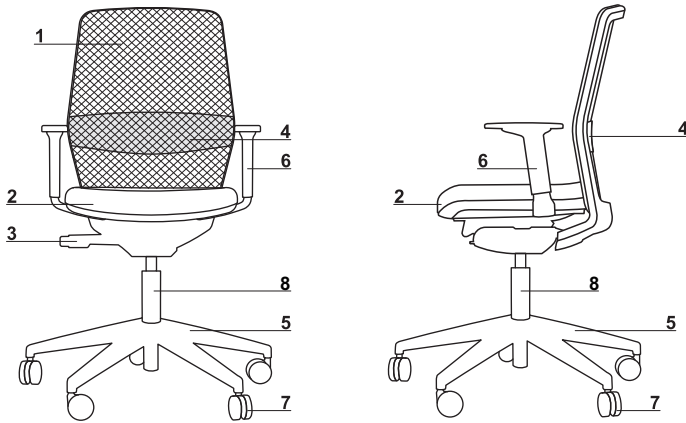
Co2 carbon footprint

43,2 kg

** average values for a representative of the group; values may vary for other products

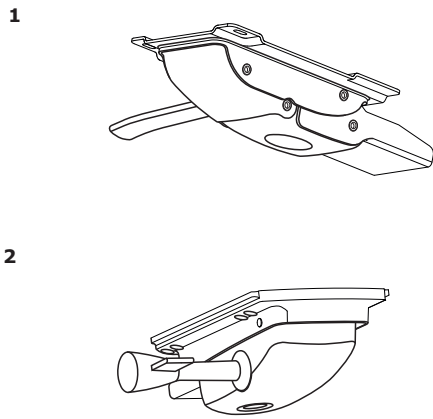
| | | | |
|-----|-----------------------------------|---|-----------------------------|
| Evo | Date of preparation 28.03.2023 | The data contained in this document is valid in the day of its preparation. Change of the product, as long as it does not affect the basic features of it, does not require consistent updates of the document. | page 2/11 |
| | | | general informations |

Technical specification



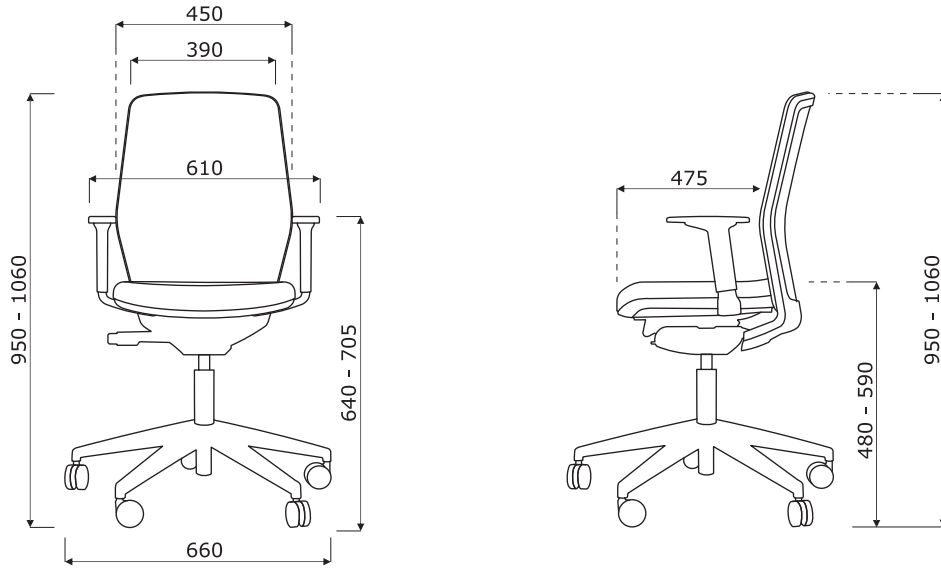
- 1. **Backrest** - mesh or upholstery; 40 mm thick, density 50kg/m³
- 2. **Seat** - upholstered, sliding - 60 mm range, 50 mm thick, density 52kg/m³
- 3. **Mechanism** - Self-weighting synchro; OPTION WITH EXTRA CHARGE - Synchro
- 4. **Lumbar support** - manual height adjustable (60 mm)
- 5. **Base** - 5-star, polypropylene, Ø=680 mm, h=124 mm; OPTION WITH EXTRA CHARGE - 5-star, polished aluminium, Ø=680 mm, h=124 mm
- 6. **OPTION WITH EXTRA CHARGE** - Armrest 2D - soft TPU armrest tops, colour: black; height adjustment 60 mm; - horizontal adjustment 50 mm
- 7. **Castors** - Ø65 mm, for soft floors PP+PA, colour: black; OPTION WITH EXTRA CHARGE - for hard floors PP+PA, colour: black
- 8. **Actuator** - steal gas spring; adjustment range 100 mm; colour: chrome or black

Mechanism



- 1. **SELF - WEIGHTING SYNCHRO:**
 - 4 locking positions
 - antishock (protects the user from being hit in the back with the backrest)
 - self - weighting mechanism (adjusts the backrest and seat tilting according to the user's weight - no manual adjustment of the tilting spring required)
- 2. **OPTION WITH EXTRA CHARGE - SYNCHRO:**
 - 5 locking position
 - - antishock (protects the user from being hit in the back with the backrest)
 - synchronized adjustment of seat and backrest; lateral lever for the manual adjustment of the backrest tilt tension according to the user's weight

Dimensions



Evo*



EV01
610 / 660 / 1060
18,5 kg

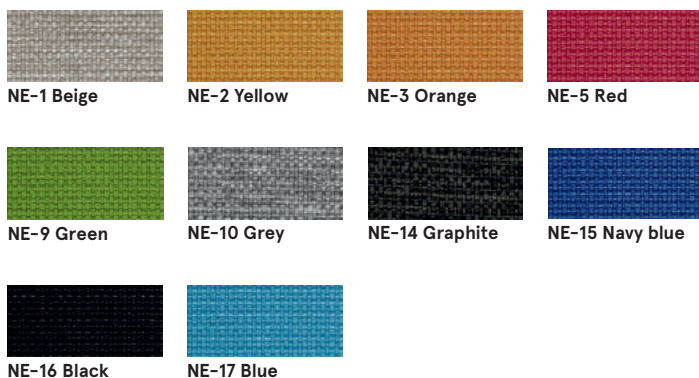


EV02
610 / 660 / 1060
18,7 kg

* dimensions expressed in millimeters: width x depth x height

| | | | |
|------------|-----------------------------------|---|-----------------|
| Evo | Date of preparation 28.03.2023 | The data contained in this document is valid in the day of its preparation. Change of the product, as long as it does not affect the basic features of it, does not require consistent updates of the document. | page 5/11 |
| | | | products |

Fabric Nemo



Technical data:

Material polyester 100%
Fabric weight 366g/m2
Abrasion resistance rubs PN_EN ISO 12947 - 2:2 100,000
Pilling resistance scale 1-8, max. 8, PN-EN ISO 105 - B02 (3-4)
Colour fastness to light scale 1-5, max. 5, PN-EN 1021 - 2,
Colour fastness to rubbing PN-EN 1021 - 1
 scale 1-5, max. 5, EN ISO 105x12 (wet/dry) 4-5

Fabric Runner - second price group



Technical data:

Material 80% polyester, 20% post-consumer recycled polyester
Fabric weight 510 g/lm (16.45 oz/lin.yd.)
Abrasion resistance rubs BS EN ISO 12947-2
 70,000 Martindale cycles
Pilling resistance scale 1-5, max 5, EN ISO 12945-2 (4-5)
Colour fastness to light scale 1-8, max 8, EN ISO 105-B02 (5-7)
Colour fastness to rubbing scale 1-5, max 5, EN ISO 105x12 (wet/dry) 4-5
Acoustic test sound absorption ISO 354
Flammability BS EN 1021-2 Match, CA TB 117-2013, BS EN 1021-1 (cigarette) Class Uno UNI 9175 Class 2, EMME

Fabric Medley - second price group



Technical data:

Material polyester 100%
Fabric weight 510 g/lm (16.45 oz/lin.yd.)
Abrasion resistance rubs BS EN ISO 12947-2, 75,000 cykli Martindale
Pilling resistance scale 1-5, max. 5, EN ISO 12945-2 (4)
Colour fastness to light scale 1-8, max. 8, EN ISO 105-B02 (5-7)
Colour fastness to rubbing scale 1-5, max. 5, EN ISO 105x12 (wet/dry (4-5/4-5))
Acoustic test sound absorption ISO 354
Flammability BS EN 1021-1 (cigarette) BS 476 Part 7, Class 2 Class Uno UNI 9174 - UNI 8457 CA TB 117-2013 ASTM E 84 Class I

Fabric Atlantic * - second price group



Technical data:

Material polyester 100%

Fabric weight 530 g/lm (17.09 oz/lin.yd.)

Abrasion resistance rubs BS EN ISO 12947-2, 110,000 Martindale cycles

Pilling resistance scale 1-5, max. 5, EN ISO 12945-2 (4-5)

Colour fastness to light scale 1-8, max. 8, EN ISO 105-B02 (5-7)

Colour fastness to rubbing scale 1-5, max. 5, EN ISO 105x12 (wet/dry)

Flammability CA TB 117-2013
ASTM E 84 Class I
BS EN 1021-2 (match)
BS EN 1021-1 (cigarette)

Fabric Vita - second price group



Technical data:

Material Surface: 98,5% PVC, 1,5% PU
Substrate: 50% polyester, 50% Cotton

Fabric weight 850g/m2 ± 10% (1190G/lin. m ± 10%)

Abrasion resistance rubs BS EN ISO 5470-2, 100,000 Martindale cycles

Colour fastness to light 6 (ISO 105 - B02)

Colour fastness to rubbing wet: 4, dry: 4 (ISO 105 - X12)

Flammability BS EN 1021 - (cigarette)
BS EN 1021 - 2 (match)
BS 5852 - (Ignition Source 5)
BS 7176 - (Medium Hazard)

Flexes BS EN ISO 7854 - Method B, 400.000 Flexing cycles

Anti-microbial / Anti-fungal AATCC 147

Fabric Mica - second price group



Technical data:

Material post-consumer recycled polyester 97%, polyester 3%

Fabric weight 305 g/lm

Abrasion resistance rubs 60,000 rubs martindale (EN ISO 12947-2)

Pilling resistance scale 1-5, max. 5 - EN ISO 12945-2, 4-5

Light fastness scale 1-8, max. 8 - EN ISO 105-B02, 5-8

Rubbing fastness dry: 4-5, wet: 4-5, scale 1-5, max. 5 - EN ISO 105x12

Flammability CA TB 117-2013
ASTM E 84 Class I
BS EN 1021-1 Cigarette
BS EN 1021-2 Match
BS 476 Part 7 class I

* There is a possibility of ordering the product in full colour spectrum of Atlantic range, as per Gabriel's pattern book, within 8 weeks

| | | | |
|-----|-----------------------------------|---|-----------|
| Evo | Date of preparation 28.03.2023 | The data contained in this document is valid in the day of its preparation. Change of the product, as long as it does not affect the basic features of it, does not require consistent updates of the document. | page 7/11 |
| | | | colours |

Fabric Go Check - second price group



Technical data:

Material 100% Trevira CS
Fabric weight 435g/lm
Abrasion resistance rubs 80,000 rubs martindale (EN ISO 12947-2)
Pilling resistance scale 1-5, max. 5 - EN ISO 12945-2, 5
Light fastness scale 1-8, max. 8 - EN ISO 105-B02, 5-8
Rubbing fastness dry: 4-5, wet: 4-5, scale 1-5, max. 5 - EN ISO 105x12
Flammability BS EN 1021 1&2 Cigarette and Match
 BS EN 1021-1 Cigarette
 BS 5852 Crib 5
 BS 7176 Medium hazard
 DIN 4102 - B1
 NFP 92-503/504/505 M1
 ÖNORM A3800-B1-B3825-Q1 UK
 Class Uno UNI 9175 Class 1 I EMME
 FAR/JAR 25.853 (a) (i) (ii)
 CA TB 117-2013
 DIN EN 13501-1 B-s1,d0
 AM 18 - NF D 60-013-(only for fabric)

Fabric Charles * - second price group

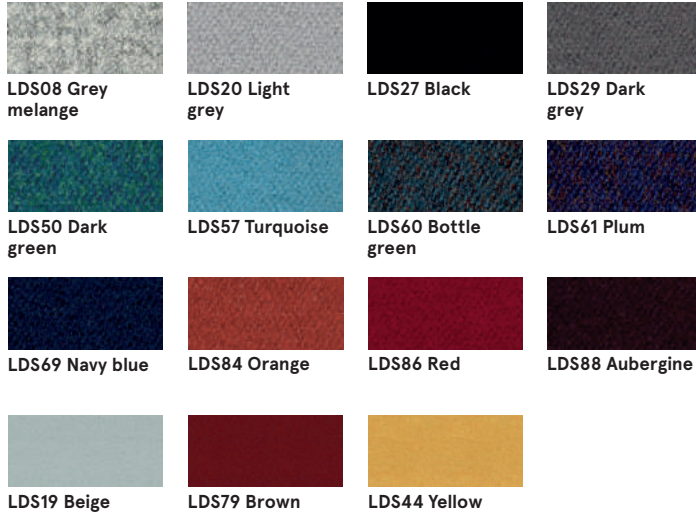


Technical data:

Material 100% polyester
Fabric weight 433g/m2
Abrasion resistance rubs 90,000 Martindale cycles (EN ISO 12947-2)
Pilling resistance EN ISO 12945-2, 5
Light fastness EN ISO 105-B02, 5
Rubbing fastness dry: 4-5, wet: 4-5, EN ISO 105x12
Flammability EN 1021, 1

* There is a possibility of ordering the product in full colour spectrum of Charles range, as per Dekoma pattern book, within the standard delivery time.

Fabric Synergy - third price group



Technical data:

| | | |
|-----------------------------------|---|-----|
| Composition | 95% Virgin Wool, 5% Polyamide | |
| Fabric weight | 400g/m2 (560g/lm) | |
| Abrasion resistance rubs | 100.000 Martindale cycles | |
| Colour fastness to light | ISO 105 - B02 | 5 |
| Colour fastness to rubbing | EN ISO 105x12 (dry/wet) | 4-4 |
| Flammability | EN 1021 - 1&2 (cigarette & match) BS 7176 Low Hazard NF D 60-013 ÖNORM B 3825 & A 3800-1 (58 kg/m ³ CMHR Foam) UNI 9175 Classe 1 IM EN 13501-1 Adhered Class D, s1, d0 IMO FTP Code (Part 8) The Furniture and Furnishing (Fire) (Safety) Regulations 1988 (Domestic Cigarette and Match) BS 5852 Ignition Source 5 when FR treated BS 7176 Medium Hazard when FR treated EN 13501-1 Adhered Class B, s1, d0 when FR treated EN 13501-1 Un-adhered Class D, s2, d0 when FR treated BS 5867-2: Type B Curtains & Drapes when FR treated | |

Fabric Silvertex - third price group

Technical data:

| | |
|------------------------------|--|
| Material | Topcoat: 100% Vinyl Backing: 100% Polyester Hi-Loft™ |
| Fabric weight | 685 gr/m2 |
| Abrasion resistance | >300,000 cycles Martindale |
| UV-resistance | >= 7 (1000 hours, blue wool scale) |
| Cold Crack resistance | -23°C |
| Flame retardancy | NF P 92-503 / M2 EN 1021, Part 1&2 DIN 4102 B2 ÖNORM B 3825, Gruppe I - Schwerbrennbares Verhalten ÖNORM A 3800, Teil I, Qualmbildungsklasse QI - schwachqualmend IMO Res. MSC.307 (88) (2010 FTP Code) Annex I Part 8 (MED) Marine Equipment Directive in its current valid version UNI 9175 (1987) / UNI 9175/FAI (1994) Classe I.IM (uno I EMME) UNE 23.727-90 IR /M2 EN 71-2: 2006+AI: 2007 Safety of Toys - Part 2: Flammability ECE R 118 (replaces Directive 95/28/EC) FMVSS 302 FAR 25/853 |
| Antimicrobial | Antifungal Protection, Antibacterial Protection, Antimycotic Protection |

There is a possibility of ordering the product in full colour spectrum of Silvertex range, as per Spradling's pattern book, within 15 working days.

Fabric Tessa - third price group



Technical data:

Material 95% polyester, 5% acrylic
Fabric weight 500g/m2
Abrasion resistance rubs 75,000 Martindale cycles (EN ISO 12497-2)
Pilling resistance EN ISO 12945-2, 4-5
Light fastness EN ISO 105-B02, 4
Rubbing fastness dry: 4-5, wet: 4-5, EN ISO 105x12

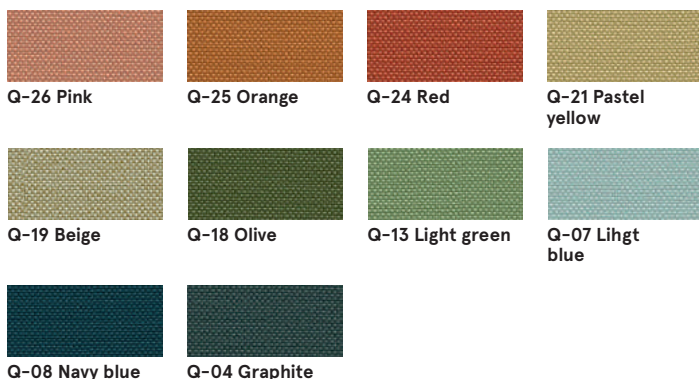
Fabric Oceanic - third price group



Technical data:

Material 100% post-consumer recycled polyester
Fabric weight 497g/m2
Abrasion resistance rubs 100,000 Martindale cycles (EN ISO 12947-2)
Pilling resistance EN ISO 12945-2, 5
Light fastness EN ISO 105-B02, 5
Rubbing fastness dry: 4, wet: 4, EN ISO 105x12
Flammability EN 1021, - 1&2 (Cigarette and Match)
 BS 7176 Low Hazard
 BS 5852 Ignition Source
 BS 7176 Medium Hazard

Fabric Quest - third price group



Technical data:

Material 100% post-consumer recycled polyester
Fabric weight 330g/m2
Abrasion resistance rubs 100,000 Martindale cycles (EN ISO 12947-2)
Light fastness EN ISO 105-B02, 4-6
Rubbing fastness dry: 4, wet: 4, EN ISO 105x12
Flammability EN 1021, - 1&2 (Cigarette and Match)
 BS 7176 Low Hazard
 UNI 9175 Classe 1 IM
 BS 476 Part 7 Class 1Y (Adhered)
 EN 13501-1 Adhered Class B, s1, d0
 EN 13501-1 Un-adhered Class B, s1, d0
 BS 5852 Ignition Source 5 with EnviroFlam5
 BS 7176 Medium Hazard with EnviroFlam5
 IMO FTP Code (Part 8) with EnviroFlam5

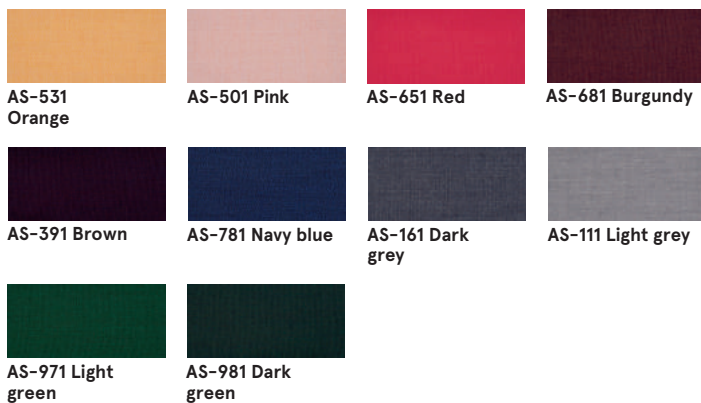
Fabric Grain - third price group



Technical data:

Material 92% post-consumer recycled polyester
 8% polyester
Fabric weight 615g/m2
Abrasion resistance rubs 100,000 Martindale cycles (EN ISO 12947-2)
Pilling resistance EN ISO 12945-2, 5
Light fastness EN ISO 105-B02, 5-7
Rubbing fastness dry: 4-5, wet: 4-5, EN ISO 105x12
Flammability BS EN 1021 1&2 Cigarette and Match
 BS EN 1021-1 Cigarette
 CA TB 117-2013

Fabric Atlas – fourth price group



Technical data:

Material 90% new wool, 10% nylon
Fabric weight 286g/m2, 400g/lm
Abrasion resistance rubs 100,000 cykli Martindale, EN ISO 12947
Colour fastness to light ISO 105 B02: 6-7
Colour fastness to rubbing ISO 105-X12:2001, (wet/dry) 4-5/4-5
Flammability BS EN 1021-2 Match, BS EN 1021-1 Cigarette, BS 5 5852 Crib 5, BS 5852 ignition source 3, BS 5852 Part 1, NF D 60 013, UNI 9175 11M, US Cal. Bull. 117-2013

Back EV01

Polyurethane



Mesh



Base



Armrest



Castors



* OPTION WITH EXTRA CHARGE